

FC Patchcord

Description:

The FC connectors are designed and manufactured according to JIS, IEC, EIA/TIA and ANSI specifications for intermateability and optical performance. The FC connectors are offered in MM or SM performances, with PC and APC polishing method.



Features:

- Pull proof
- Meets FC connector standard
- Available both standards:
 - NPC205 - Methode, Seikoh Giken, JDSU
 - NPC215 – Seiko Instruments
- Pre-radiused ceramic ferrules configured for Super, Ultra, PC and APC polishing
- Pre-assembled option simplifies field termination
- Ferrule assembly has high resolution tuning feature
- Dust cover

Specifications:

Insertion loss (IL)	typ. 0.15 dB
Return loss (RL)	> 60 dB for jumper length up to 5 m
Strain relief	300 N
Operating temperature	-40°C to +80°C, conditioned by type of cable
Durability	min 1000 cycles
Assembly procedure	glue and polish
Connection	physical contact
Lock mechanism	coupling nut
Standards	JIS 5970, EIA/TIA FOCIS, CENELEC

Material

Coupling Nut	stainless steel
Rear Body	zinc alloy, nickel plated
Ferrule Material	full ceramic zirconia
Crimp Sleeve	brass, tin plated
Boot and Dust Cover	thermoplastic rubber (flame retardant)

Applications:

- Telecom
- LAN, WAN
- CATV, sensor systems, measuring technique
- Utilities, railways

Ordering code:

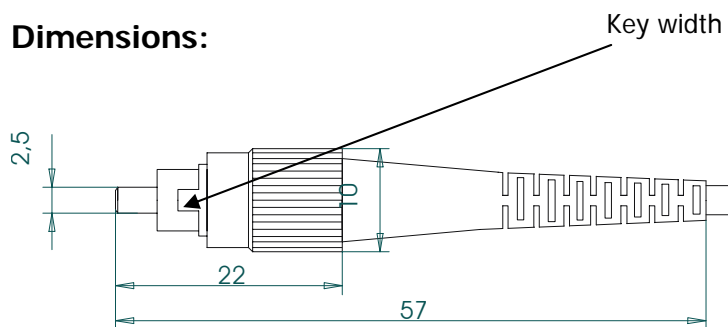
AAA - XX XX - X - XXX

AAA		XXX - length [m]	
Connector Type	Connector Description		
PC	FC/PC (MM)		
SPC	FC/SPC		
UPC	FC/UPC		
NPC205	FC/APC standard JDSU, Methode, Seikoh Giken		
NPC215	FC/APC standard Seiko Instruments		

X - type (pigtail or jumper)	
J	jumper
P	pigtail

XX - diameter of cable, fibre		XX - type of fibre	
09	fibre Ø 0.9 mm	M5	MM 50/125 µm
17	cable Ø 1.7 mm	M6	MM 62.5/125 µm
20	cable Ø 2.0 mm	SM	SM 9/125 µm (G.652)
24	cable Ø 2.4 mm	DS	dispersion shifted
28	cable Ø 2.8 mm	TW	TrueWave
RF	ribbon fibre	RS	TrueWave - RS
RC	ribbon cable	TL	TeraLight
		LE	Leaf

Dimensions:



Key width :

FC/PC:	2.00 mm
all types	2.00 mm
FC/APC:	2.05 mm
NPC205:	2.05 mm
NPC215:	2.15 mm

Samples:

NPC205-28 SM-J-002



SPC-09 SM-P-002

